

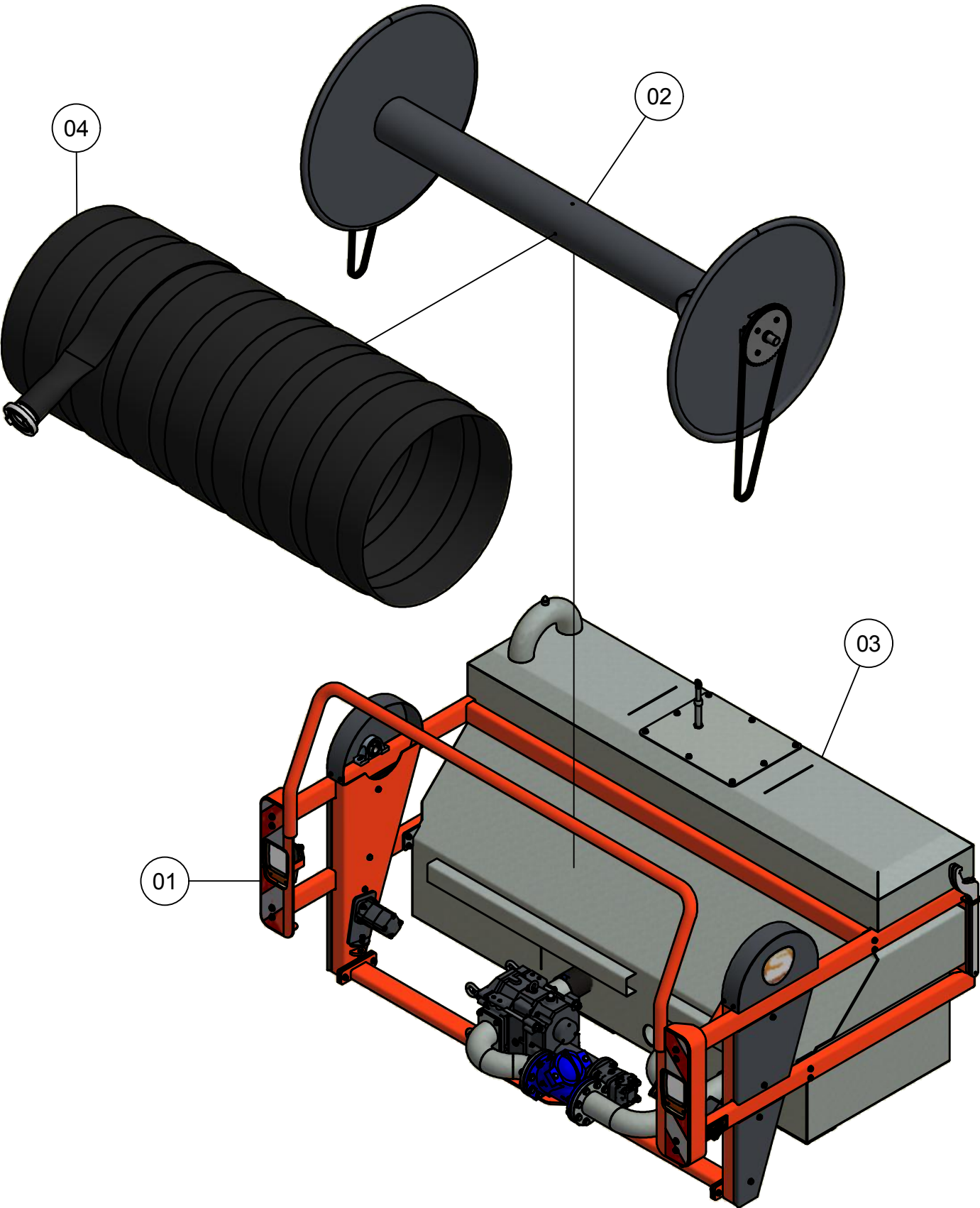
ONDERDELENBOEK

Cobra Fronttankhaspel

FTH230

Serie no.: 306.0260→

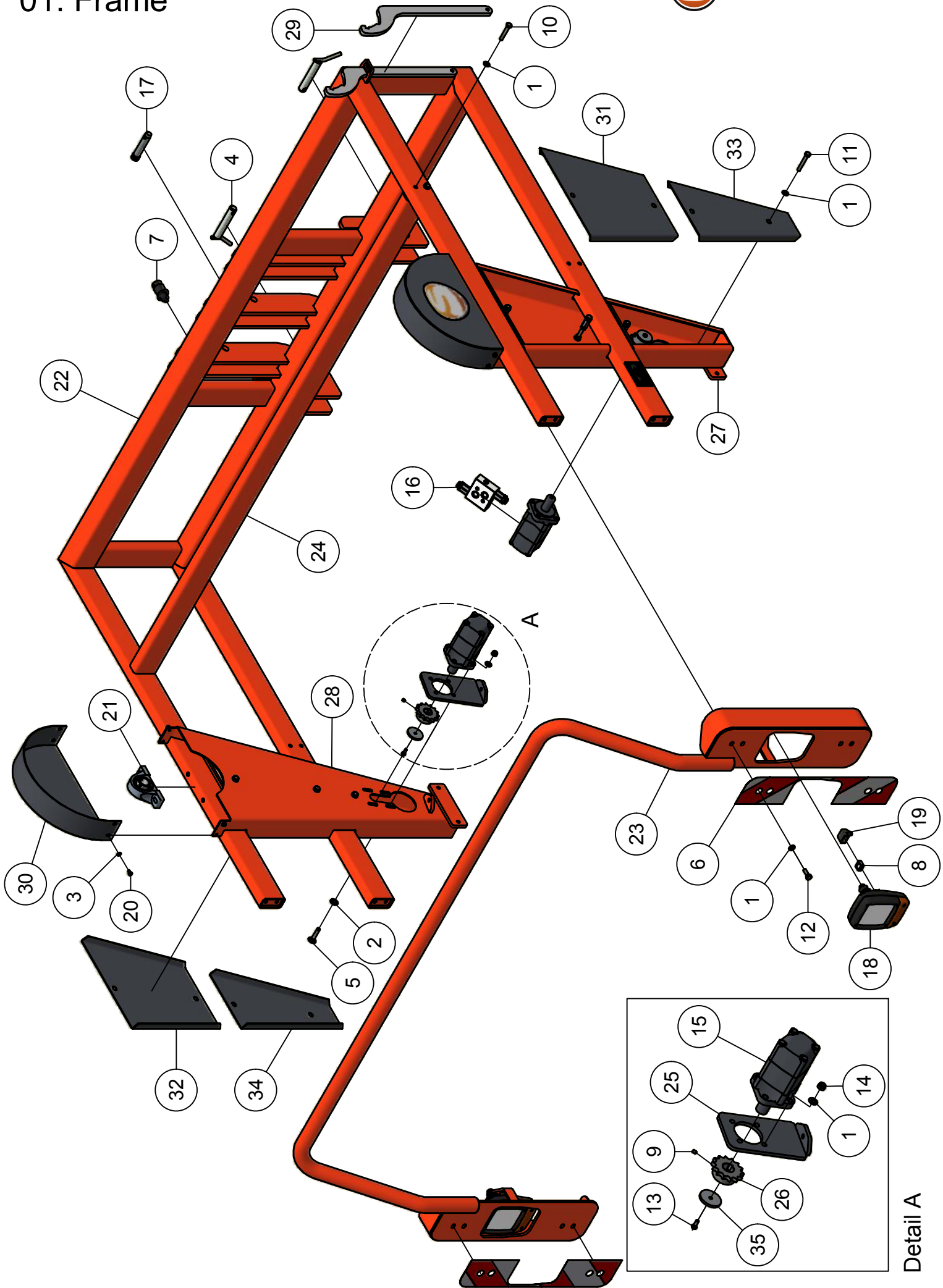




Inhoudsopgave

| | Pagina |
|-----------------------|-----------|
| 01. Frame | 5 |
| 02. Trommel | 7 |
| 03. Tank | 9 |
| 03.01. Pompunit | 11 |
| 03.02. Verdringerpomp | 13 |
| 04. Slangen | 16 |

01. Frame



01. Stuklijst frame

| Stukn. | Artikelnummer | Omschrijving | Aant. | Opmerking |
|--------|---------------|------------------------------------|-------|-----------|
| 1 | 121183 | Sluitring M12 DIN125A ELVZ | 30 | |
| 2 | 121187 | Sluitring M16 DIN125A ELVZ | 8 | |
| 3 | 121203 | Sluitring M8 DIN125A ELVZ | 8 | |
| 4 | 121375 | Hefpen | 2 | |
| 5 | 122049 | Slotbout M12x60 DIN603 ELVZ kl.8.8 | 8 | |
| 6 | 122472 | Reflektiemarkeringsticker(set l+r) | 1 | |
| 7 | 122517 | Stekker 7-polig | 1 | |
| 8 | 122526 | Stekker 6-polig AMP | 2 | |
| 9 | 122644 | Stelschroef M8x10 DIN916 ELVZ | 4 | |
| 10 | 122682 | Bout M12x70 DIN931 ELVZ | 4 | |
| 11 | 122683 | Bout M12x80 DIN931 ELVZ | 6 | |
| 12 | 122768 | Bout M12x35 DIN933 ELVZ | 8 | |
| 13 | 122828 | Bout M8x20 DIN933 ELVZ | 2 | |
| 14 | 122940 | Moer M12ZB DIN985 ELVZ | 14 | |
| 15 | 124333 | Hydromotor as 32mm | 2 | |
| 16 | 125237 | Drukbegeenzingsventiel | 1 | |
| 17 | 125442 | Pen ø25mm L=113 topstang | 1 | |
| 18 | 126199 | Koplamp opbouw | 2 | |
| 19 | 126200 | Tule haaks | 2 | |
| 20 | 126256 | Bout M8x12 DIN933 ELVZ | 8 | |
| 21 | 126484 | Lagerblok | 2 | |
| 22 | 306.01.037 | Frame FTH230 | 1 | |
| 23 | 306.01.038 | Beugel FTH230 | 1 | |
| 24 | 306.01.040 | Tussenkoker | 1 | |
| 25 | 306.03.024 | Spanner hydromotor | 2 | |
| 26 | 306.03.026 | Tandwiel Z=14 | 2 | |
| 27 | 306.03.032 | Kettingkast links | 1 | |
| 28 | 306.03.033 | Kettingkast rechts | 1 | |
| 29 | 306.04.015 | Storz sleutel aluminium | 2 | |
| 30 | 306.05.023 | Afschermkap boven | 2 | |
| 31 | 306.05.024 | Afschermkap midden links | 1 | |
| 32 | 306.05.025 | Afschermkap midden rechts | 1 | |
| 33 | 306.05.026 | Afschermkap onder links | 1 | |
| 34 | 306.05.027 | Afschermkap onder rechts | 1 | |
| 35 | 330.02.012 | Borgring ø61xø9x6mm | 2 | |

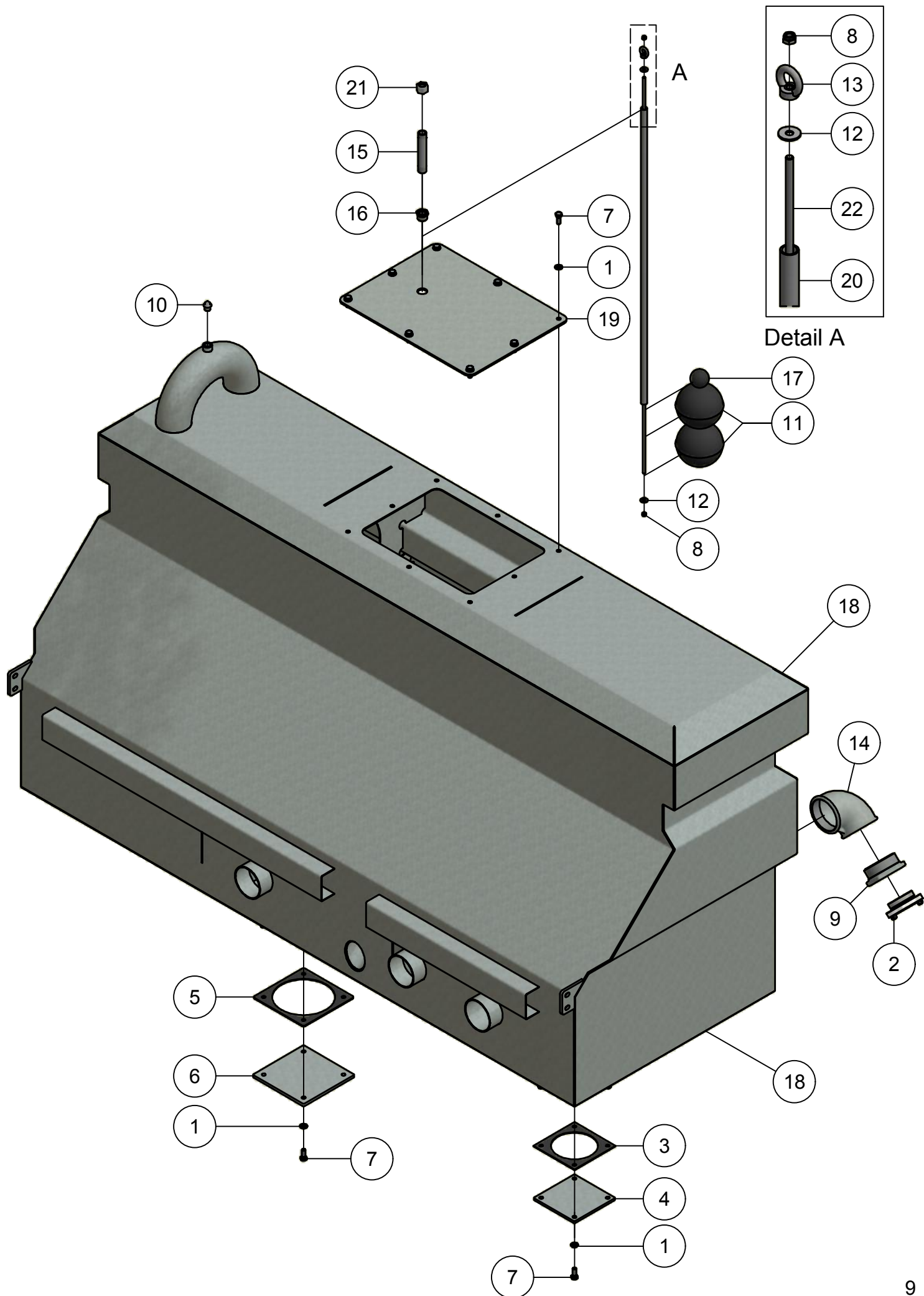
02. Trommel



02. Stuklijst trommel

| Stukn. | Artikelnummer | Omschrijving | Aant. | Opmerking |
|--------|---------------|----------------------------|-------|-----------|
| 1 | 121183 | Sluitring M12 DIN125A ELVZ | 8 | |
| 2 | 122768 | Bout M12x35 DIN933 ELVZ | 8 | |
| 3 | 122940 | Moer M12ZB DIN985 ELVZ | 8 | |
| 4 | 123928 | Ketting L=114 rollen | 2 | |
| 5 | 125268 | Verbindingschakel | 2 | |
| 6 | 306.02.020 | Trommel FTH230 | 1 | |
| 7 | 306.02.021 | Afstandsbus as ø40 L=14mm | 2 | |
| 8 | 306.03.031 | Plaatwiel Z=47 | 2 | |

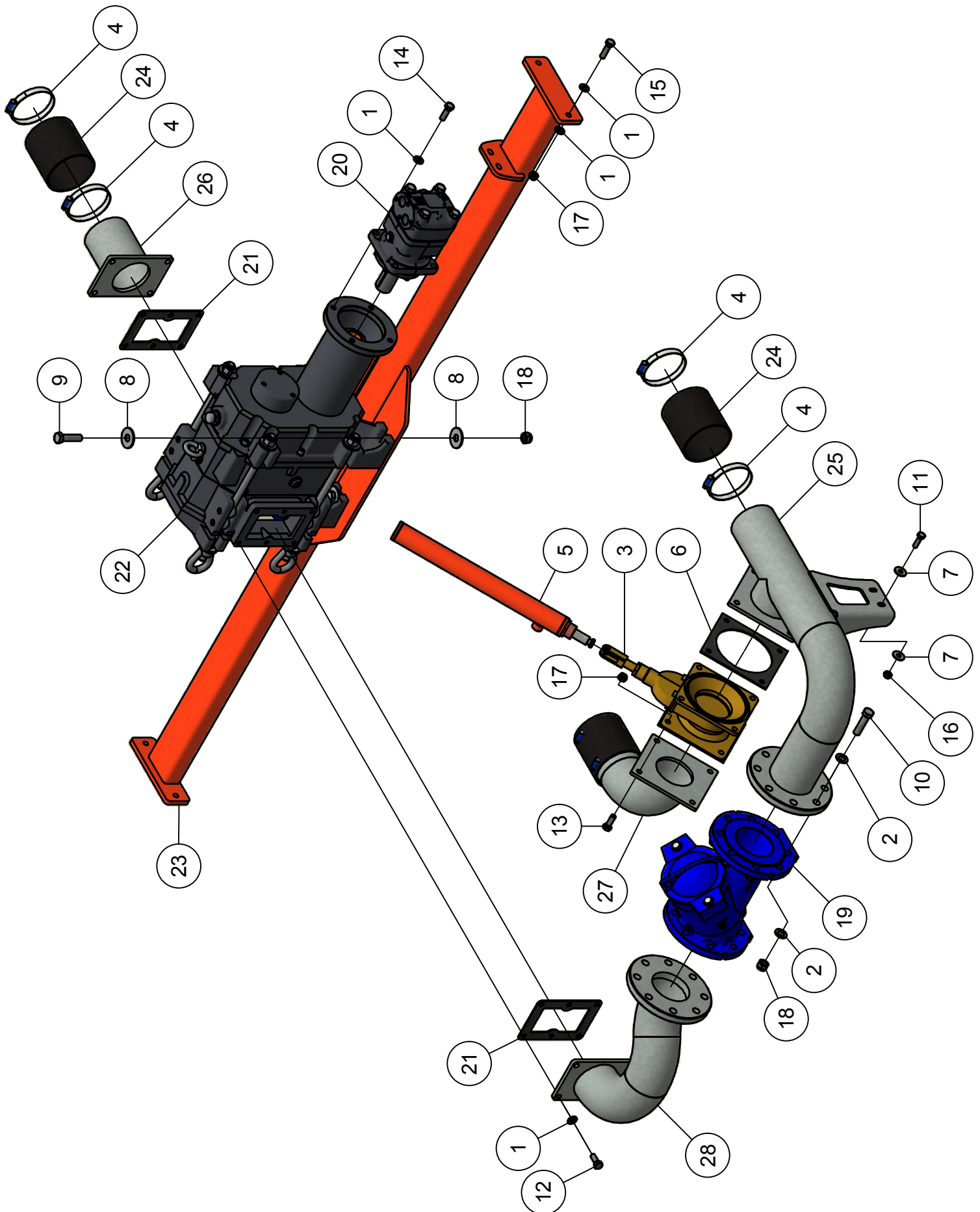
03. Tank



03. Stuklijst tank

| Stukn. | Artikelnummer | Omschrijving | Aant. | Opmerking |
|--------|---------------|-------------------------------------|-------|-----------|
| 1 | 121183 | Sluistring M12 DIN125A ELVZ | 16 | |
| 2 | 121727 | Storz koppeling bu-draad 3" NA89 | 1 | |
| 3 | 122112 | Vierkantpakking 6" | 1 | |
| 4 | 122113 | Blindflens 6" verzinkt | 1 | |
| 5 | 122428 | Vierkantpakking 8" | 1 | |
| 6 | 122429 | Blindflens 8" verzinkt | 1 | |
| 7 | 122765 | Bout M12x30 DIN933 ELVZ | 16 | |
| 8 | 122969 | Moer M8ZB DIN985 RVS | 2 | |
| 9 | 123411 | Verloopnippel | 1 | |
| 10 | 123442 | Stop verzinkt 1/2" conisch bu-draad | 1 | |
| 11 | 124203 | Vlotterbal 150mm | 2 | |
| 12 | 125518 | Carrosseriering M8 RVS | 2 | |
| 13 | 126480 | Oogmoer M8 DIN582 RVS | 1 | |
| 14 | 126485 | Knie verzinkt 90° | 1 | |
| 15 | 126486 | Pijpnippel RVS | 1 | |
| 16 | 126487 | Verlooptnippel 1 x 3/4" bu-bi RVS | 1 | |
| 17 | 126488 | Vlotterbal | 1 | |
| 18 | 306.08.001 | Tank 2,2m² FTH230 | 1 | |
| 19 | 306.08.002 | Dekselplaat tank | 1 | |
| 20 | 306.08.007 | Niveaubuis RVS | 1 | |
| 21 | 306.08.008 | Afsluitdop | 1 | |
| 22 | 306.08.009 | Draadeind M8-RVS | 1 | |

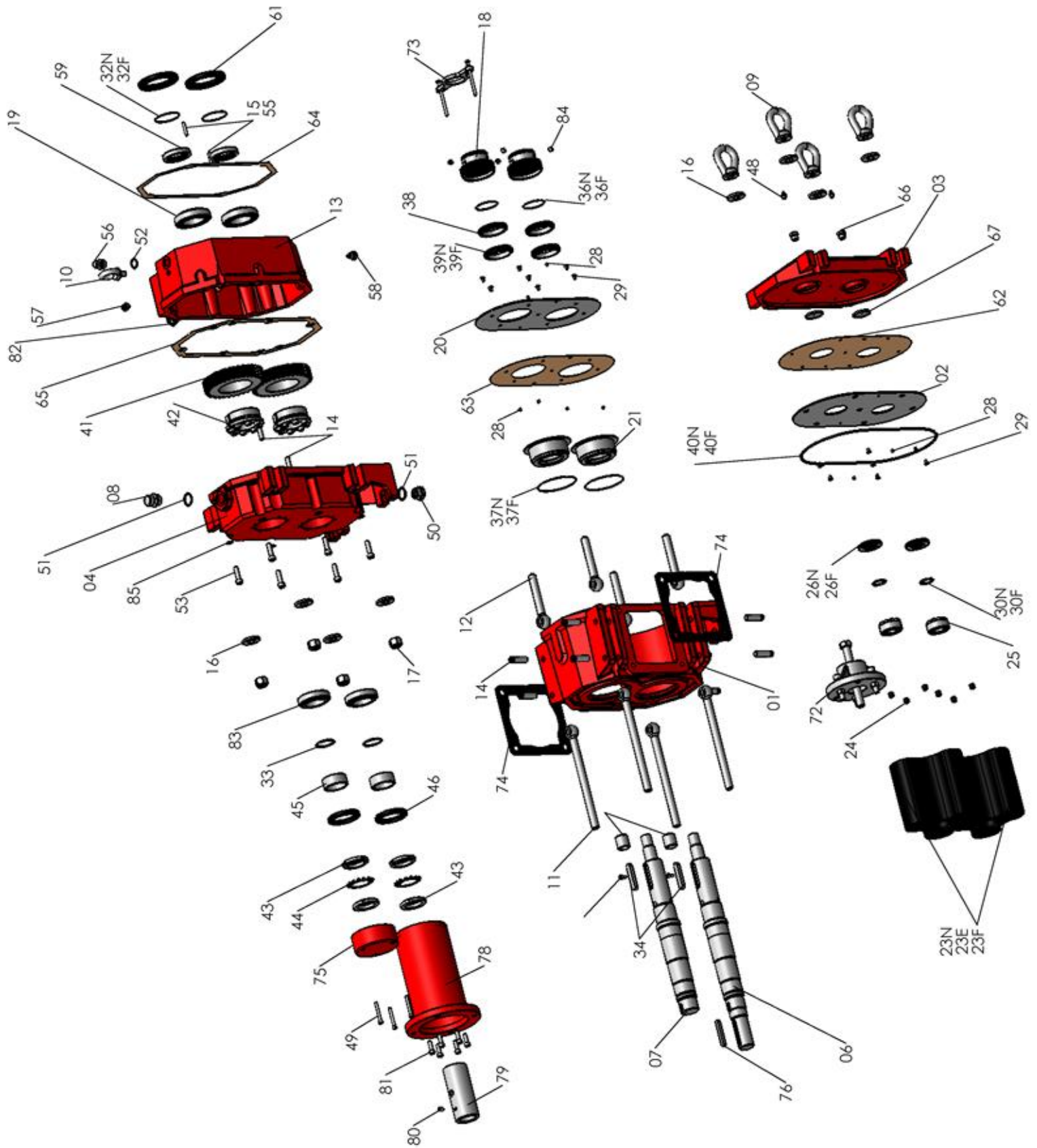
03.01. Pompunit



03.01. Stuklijst pompunit

| Stukn. | Artikelnummer | Omschrijving | Aant. | Opmerking |
|--------|---------------|-------------------------------------|-------|--------------------|
| 1 | 121183 | Sluitring M12 DIN125A ELVZ | 20 | |
| 2 | 121187 | Sluitring M16 DIN125A ELVZ | 30 | |
| 3 | 121586 | Afsluiter 4" MZ | 1 | |
| 4 | 121683 | Wormschroef slangklem RVS 110-140mm | 6 | |
| 5 | 122016 | Cilinder afsluiter EW 6" | 1 | Afdichtset: 125602 |
| 6 | 122112 | Vierkantpakking 6" | 2 | |
| 7 | 122536 | Carrosseriering M10 DIN9021A ELVZ | 4 | |
| 8 | 122539 | Carrosseriering M16 DIN9021A ELVZ | 8 | |
| 9 | 122705 | Bout M16x60 DIN931 ELVZ | 4 | |
| 10 | 122708 | Bout M16x65 DIN931 ELVZ | 16 | |
| 11 | 122751 | Bout M10x35 DIN933 ELVZ | 2 | |
| 12 | 122765 | Bout M12x30 DIN933 ELVZ | 8 | |
| 13 | 122768 | Bout M12x35 DIN933 ELVZ | 8 | |
| 14 | 122769 | Bout M12x40 DIN933 ELVZ | 4 | |
| 15 | 122771 | Bout M12x45 DIN933 ELVZ | 4 | |
| 16 | 122937 | Moer M10ZB DIN985 ELVZ | 2 | |
| 17 | 122940 | Moer M12ZB DIN985 ELVZ | 12 | |
| 18 | 122945 | Moer M16ZB DIN985 ELVZ | 20 | |
| 19 | 125716 | Balkeerklep | 1 | |
| 20 | 126489 | Hydromotor | 1 | |
| 21 | 126490 | Pakking verdringerpomp | 2 | |
| 22 | 126491 | Verdringerpomp | 1 | Zie pagina: 13-15 |
| 23 | 306.01.039 | Pompbevestiging | 1 | |
| 24 | 306.04.008 | Transportslang EHD 5" L=130mm | 3 | |
| 25 | 306.08.003 | Aanvoerbuis | 1 | |
| 26 | 306.08.004 | Aanzuigbuis | 1 | |
| 27 | 306.08.005 | Vulbuis | 1 | |
| 28 | 306.08.006 | Aanvoerbuis pomp | 1 | |

03.02. Verdringerpomp



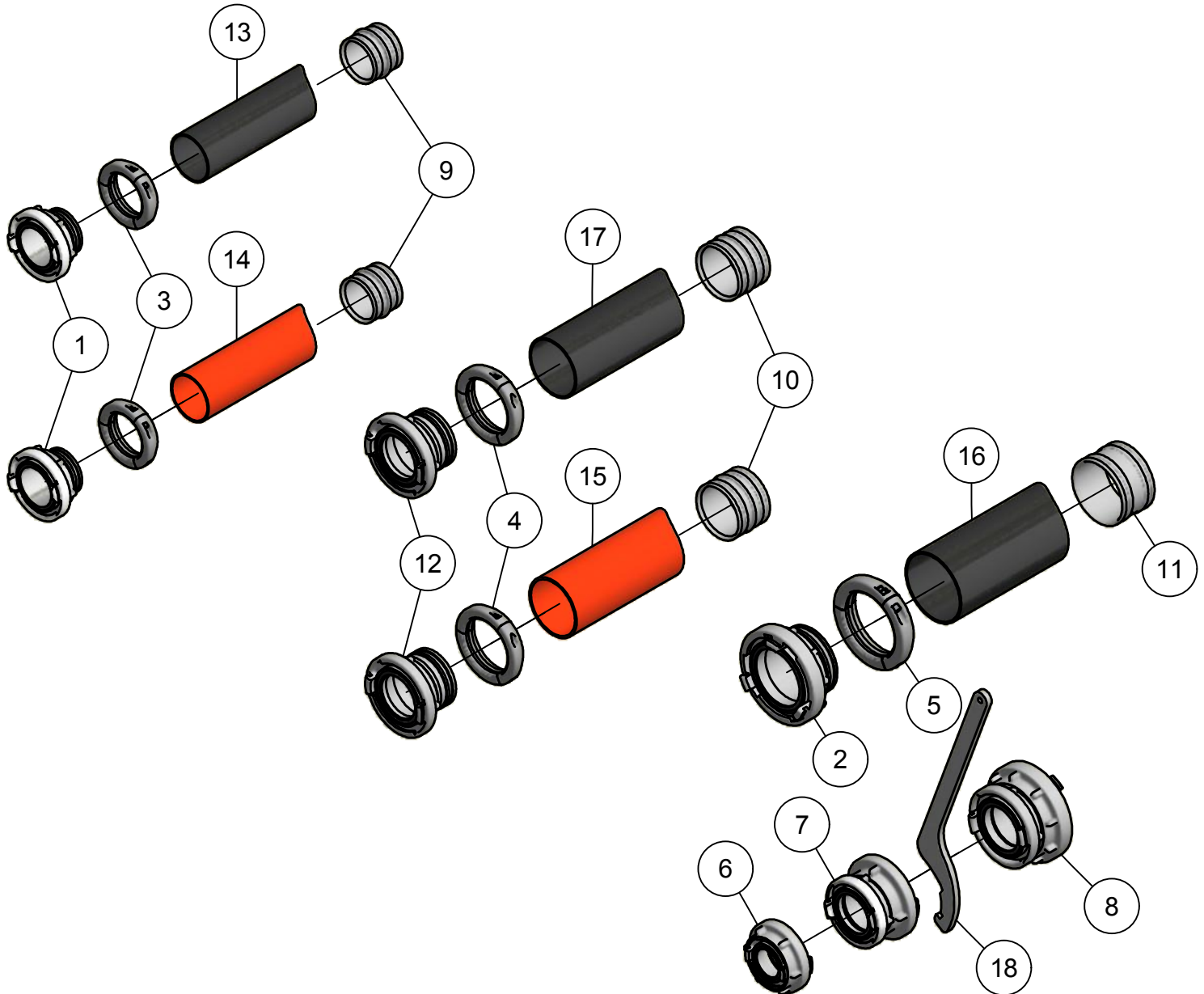
03.02. Stuklijst verdringerpomp

| Stukn. | Artikelnummer | Omschrijving | Aant. | Opmerking |
|--------|---------------|-------------------------------------|-------|-----------|
| 01 | 4440001001 | Pomphuis | 1 | |
| 02 | 4440001004 | Draagplaat | 1 | |
| 03 | 4010601161 | Deksel pomphuis | 1 | |
| 04 | 4440001009 | Deksel tandwielkast | 1 | |
| 06 | 4440001015 | Aandrijfjas | 1 | |
| 07 | 4440001018 | Aandrijfjas | 1 | |
| 08 | 124316 | Ontluchtingsfilter | 1 | |
| 09 | 4440001023 | Oogmoer M18 | 4 | |
| 10 | 122001 | Oogbout M12 | 1 | |
| 11 | 4440001025 | Oogbout lang | 4 | |
| 12 | 4440001027 | Oogbout kort | 4 | |
| 13 | 4440001028 | Bodem tandwielkast | 1 | |
| 14 | 4440001030 | Spanstift | 8 | |
| 15 | 5051107011 | Spanstift | 4 | |
| 16 | 4440001032 | Sluitring | 8 | |
| 17 | 122948 | Moer M18ZB DIN985 ELVZ | 4 | |
| 18 | 4440001244 | Mechanische afdichting | 2 | |
| 19 | 4440001036 | Conisch rollager | 2 | |
| 20 | 4440001038 | Draagplaat | 2 | |
| 21 | 4440001040 | Zittingflens | 2 | |
| 23N | 4440001044 | Rotor NBR | 2 | |
| 23E | 4440001045 | Rotor EPDM | 2 | |
| 23F | 4440001046 | Rotor FKM | 2 | |
| 24 | 4440001053 | Plug M12 | 6 | |
| 25 | 4440001055 | Klemring | 2 | |
| 26N | 4440001057 | Afdichtkap NBR | 2 | |
| 26F | 4440001058 | Afdichtkap FKM | 2 | |
| 28 | 4440001062 | Plug M6x16 | 8 | |
| 29 | 4440001063 | Verzonken inbusbout M6x10 DIN7991 E | 14 | |
| 30N | 4440001064 | O-ring NBR | 2 | |
| 30F | 4440001065 | O-ring FKM | 2 | |
| 32N | 4440001072 | O-ring NBR | 2 | |
| 32F | 4440001073 | O-ring FKM | 2 | |
| 33 | 4440001078 | O-ring | 2 | |
| 34 | 4440001079 | Inlegspie 14x9x45 | 2 | |
| 36N | 4440001085 | O-ring NBR | 2 | |
| 36F | 4440001086 | O-ring FKM | 2 | |
| 37N | 4440001089 | O-ring NBR | 2 | |
| 37F | 4440001090 | O-ring FKM | 2 | |
| 38 | 4440001093 | Mechanische afdichting | 2 | |
| 39N | 4440001097 | Mechanische afdichting NBR | 2 | |
| 39F | 4440001098 | Mechanische afdichting FKM | 2 | |
| 40N | 4440001101 | O-ring NBR | 1 | |
| 40F | 4440001102 | O-ring FKM | 1 | |
| 41 | 4440001105 | Tandwiel | 2 | |
| 42 | 4440001107 | Klemring | 2 | |
| 43 | 4440001109 | Kroonmoer | 4 | |
| 44 | 4440001111 | Borgring | 2 | |
| 45 | 4440001113 | Binnenring | 2 | |
| 46 | 4440001114 | Keerring 60x80x10 | 2 | |

03.02. Stuklijst verdringerpomp_vervolg

| Stukn. | Artikelnummer | Omschrijving | Aant. | Opmerking |
|--------|---------------|-----------------------------------|-------|-----------|
| 48 | 123681 | Vetnippel | 2 | |
| 49 | 122605 | Inbusbout M6x50 DIN912 ELVZ | 6 | |
| 50 | 4440001119 | Magneetfilter | 1 | |
| 51 | 4440001120 | Sluitring 3/4" | 2 | |
| 52 | 4440001121 | Sluitring 1/2" | 2 | |
| 53 | 122751 | Bout M10x35 DIN933 ELVZ | 6 | |
| 55 | 4440001127 | Spanstift | 2 | |
| 56 | 124317 | Ontluchtingsfilter | 1 | |
| 57 | 125341 | Afsluitdop | 1 | |
| 58 | 4440001130 | Magneetfilter | 1 | |
| 59 | 4440001131 | Draagring | 2 | |
| 61 | 4440001133 | Keerring dubbel 70x100x10 | 2 | |
| 62 | 4440001135 | Pakking | 1 | |
| 63 | 4440001137 | Pakking | 1 | |
| 64 | 4440001139 | Pakking | 1 | |
| 65 | 4440001141 | Pakking | 1 | |
| 66 | 4440001143 | Verloopnippel M16-M10 | 2 | |
| 67 | 4440001144 | Sluitring 3x40x5 | 2 | |
| 72 | 4440001153 | Montagekit met bout | 1 | |
| 73 | 4440001154 | Montagekit mechanische afdichting | 1 | |
| 74 | 126490 | Pakking verdringerpomp | 2 | |
| 75 | 4440001159 | Flensdeksel | 1 | |
| 76 | 4440001160 | Inlegspie 8x10x70 | 1 | |
| 78 | 4440001162 | Bevestiging hydromotor | 1 | |
| 79 | 4440001163 | Aandrijfmof | 1 | |
| 80 | 122644 | Stelschroef | 1 | |
| 81 | 122617 | Inbusbout M8x25 DIN912 ELVZ | 6 | |
| 82 | 125343 | Afsluitdop | 1 | |
| 83 | 4440001054 | Rollager 32010 | 2 | |
| 84 | 4440001083 | Plug M8x12 | 6 | |

04. Slangen



| Stukn. | Artikelnummer | Omschrijving | Aant. | Opmerking |
|--------|---------------|----------------------------------|-------|-----------|
| 1 | 121696 | Storz NA115 tule 4" kort | 2 | |
| 2 | 121701 | Storz NA160 tule 6" kort | 1 | |
| 3 | 121732 | Storz klamschaal driedelig 4" | 2 | |
| 4 | 121734 | Storz klamschaal driedelig 5" | 2 | |
| 5 | 121736 | Storz klamschaal driedelig 6" | 1 | |
| 6 | 121741 | Storz verloopkoppeling NA89-115 | 1 | |
| 7 | 121743 | Storz verloopkoppeling NA115-133 | 1 | |
| 8 | 121747 | Storz verloopkoppeling NA133-160 | 1 | |
| 9 | 121765 | Storz reparatiestuk kort 4" | 2 | |
| 10 | 121766 | Storz reparatiestuk kort 5" | 2 | |
| 11 | 121767 | Storz reparatiestuk kort 6" | 1 | |
| 12 | 124840 | Storz NA133 tule 5" kort | 2 | |
| 13 | 306.04.002 | Transportslang EHD 4" L=100mtr | 1 | |
| 14 | 306.04.004 | Sleepslang EHD 4" L=100mtr | 1 | |
| 15 | 306.04.005 | Sleepslang EHD 5" L=100mtr | 1 | |
| 16 | 306.04.006 | Transportslang EHD 6" L=100mtr | 1 | |
| 17 | 306.04.008 | Transportslang EHD 5" L=100mtr | 1 | |
| 18 | 306.04.015 | Storz sleutel Aluminium | 1 | |